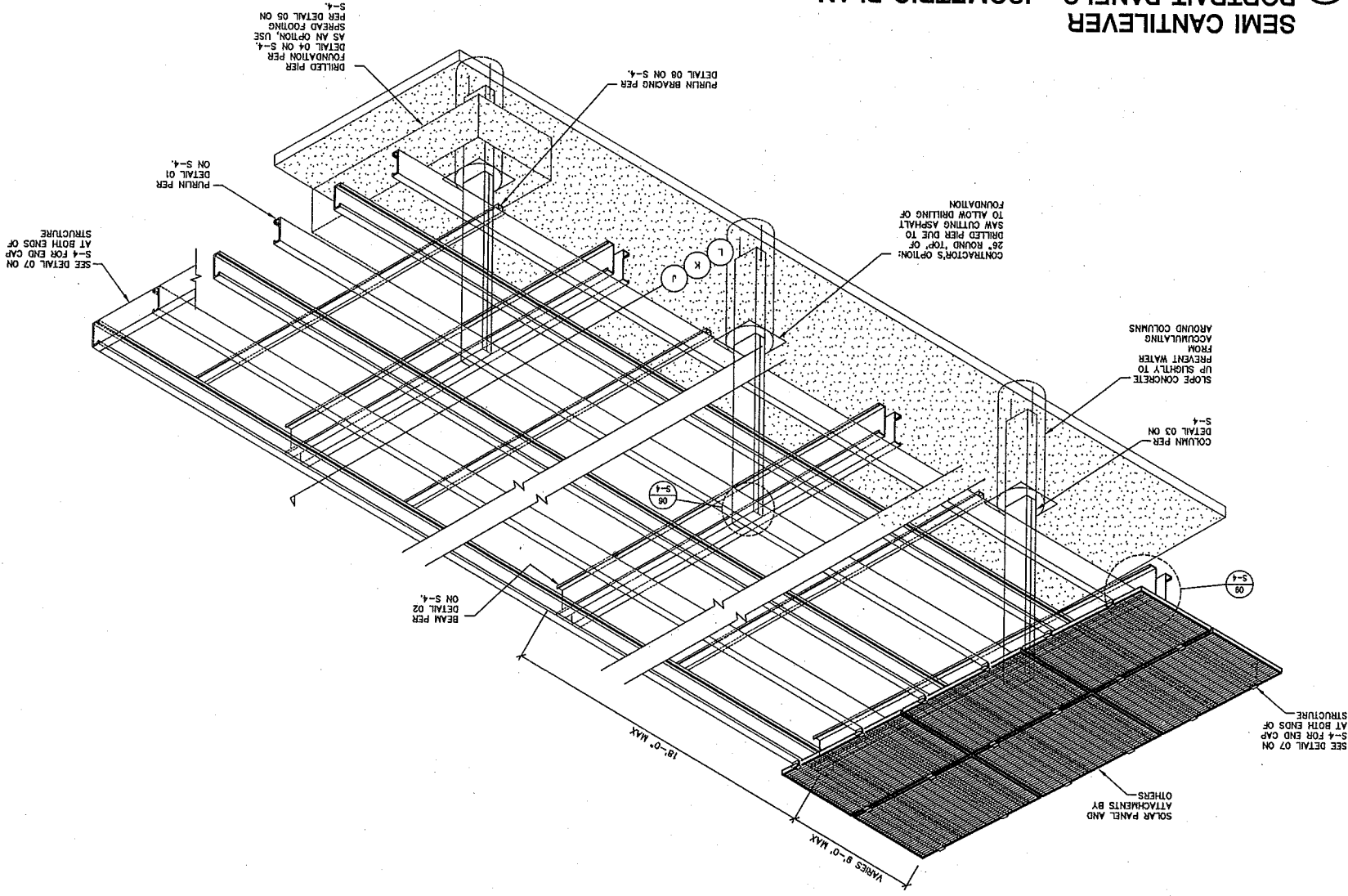
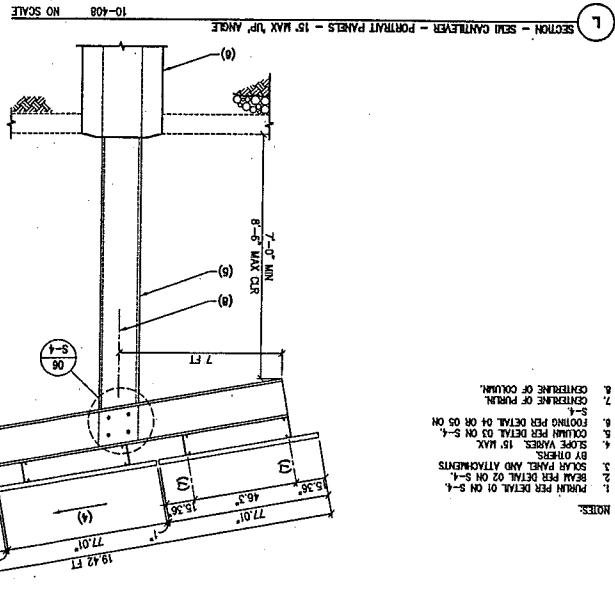


SEMI CANTILEVER - ISOMETRIC PLAN

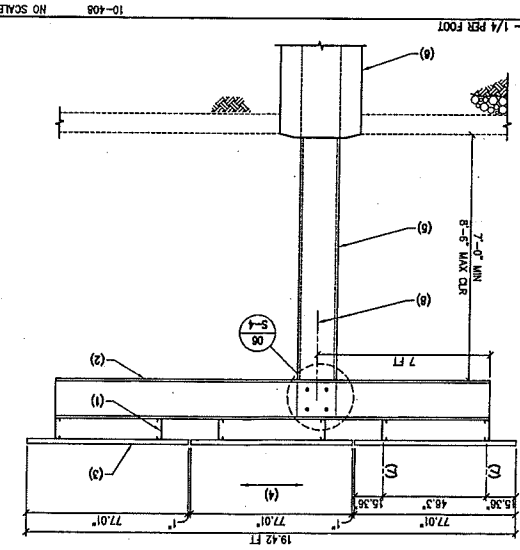
NO SCALE



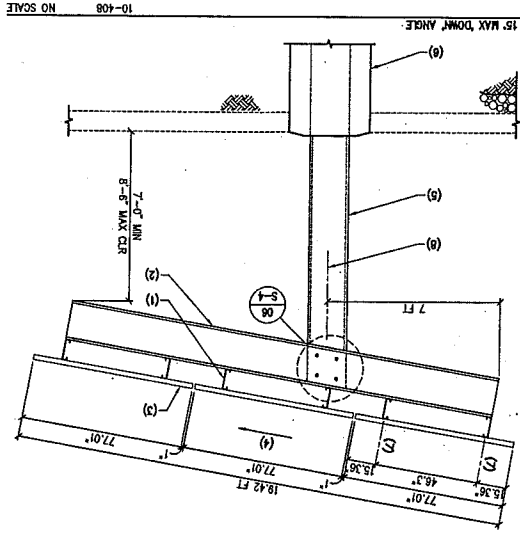
NOTE TO SOLAR PANEL INSTALLER:
SOLAR PANELS ARE NOT TO BE
STACKED/STORED ON TOP OF
STRUCTURE DURING CONSTRUCTION.



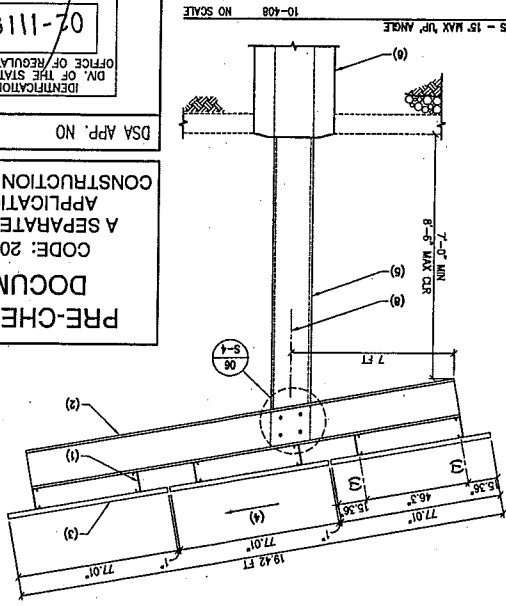
- NOTES:
1. PURIN PER DETAIL 01 ON S-4.
 2. BEAM PER DETAIL 02 ON S-4.
 3. SOLAR PANEL AND ATTACHMENTS BY OTHERS.
 4. SLOPE OTHER DIRECTION, 1/4\"/>



- NOTES:
1. PURIN PER DETAIL 01 ON S-4.
 2. BEAM PER DETAIL 02 ON S-4.
 3. SOLAR PANEL AND ATTACHMENTS BY OTHERS.
 4. SLOPE WAVES, 15\"/>



- NOTES:
1. PURIN PER DETAIL 01 ON S-4.
 2. BEAM PER DETAIL 02 ON S-4.
 3. SOLAR PANEL AND ATTACHMENTS BY OTHERS.
 4. SLOPE WAVES, 15\"/>



PRE-CHECK (PC) DOCUMENT
CODE: 2010 CBC
APPLICATION FOR
A SEPARATE PROJECT

DSA App. NO

IDENTIFICATION STAMP
DIV. OF THE STATE ARCHITECT
OFFICE OF REGULATION SERVICES

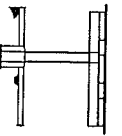
DATE: 11-20-11
AC: [Signature]
R.S. [Signature]
SS: [Signature]
K9

PROJ. NO.: 10-408
DATE: 6.29.10
CHECKED: SMV
DEE
S-2
2 OF 4
COMPUTER
FILE: 10-408

Portrait Panels
Isometric Plan
and Sections

BAJA
CONSTRUCTION CO., INC.
223 FOSTER ST., MARTINEZ CA 94553
1-800-566-9600 FAX: (925) 229-0161

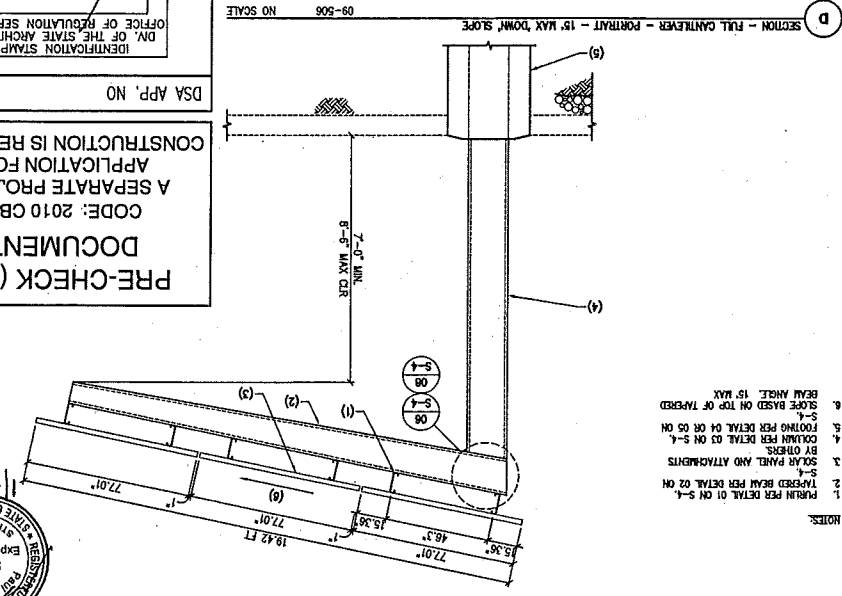
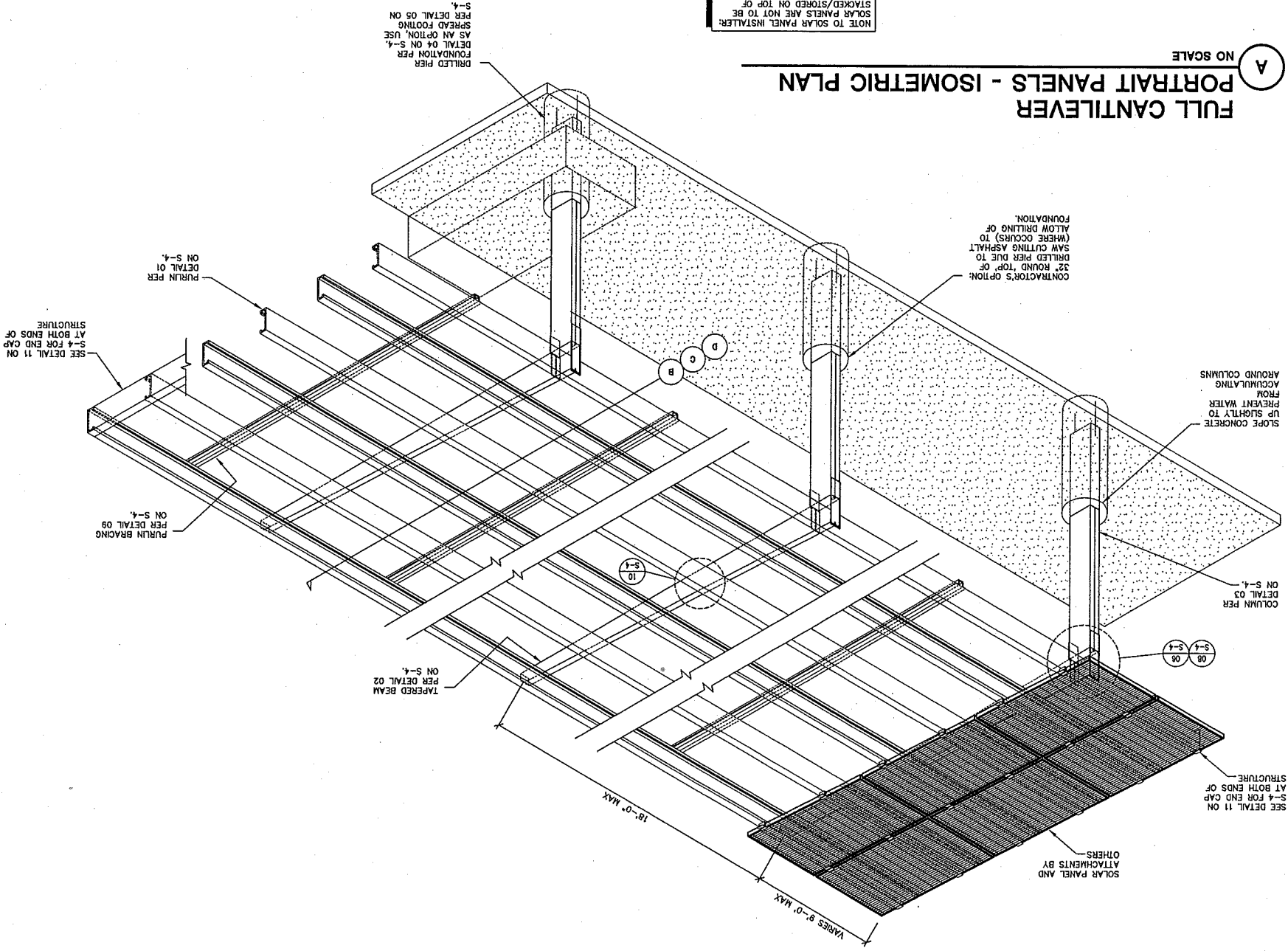
DSA PRE-CHECK
SEMI-CANTILEVER SOLAR
SUPPORT STEEL STRUCTURES IN
THE STATE OF CALIFORNIA



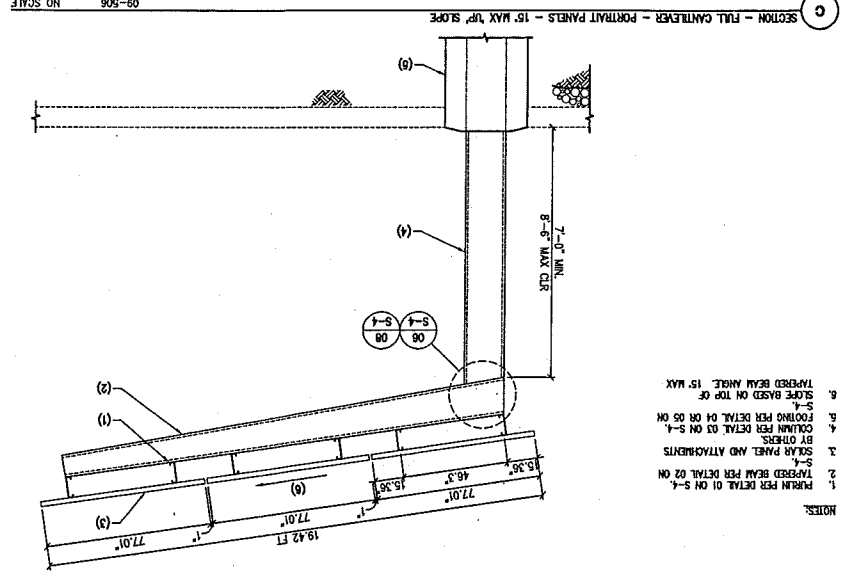
CARUSO · TURLEY · SCOTT · INC
consulting structural engineers
1215 West Rio Salado Parkway, Suite 200
Tempe, Arizona 85281 (480) 774-1700 (774-1701 FAX)
www.cts32.com

THESE DRAWINGS/CALCULATIONS ARE CONSIDERED PRELIMINARY - NOT FOR CONSTRUCTION OR RECORDING UNLESS THE STRUCTURAL ENGINEER OF RECORD'S SEAL IS AFFIXED WITH WRITTEN SIGNATURE.

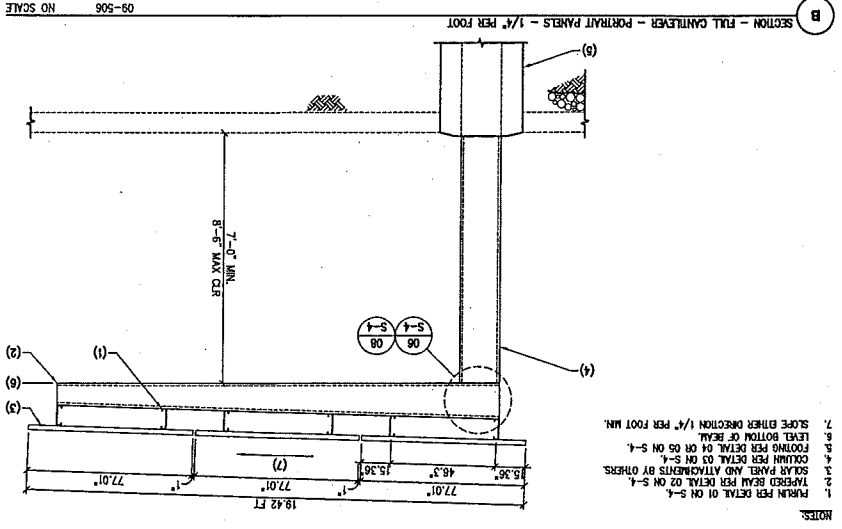
A NO SCALE
PORTRAIT PANELS - ISOMETRIC PLAN



- NOTES:
1. PURLIN PER DETAIL 01 ON S-4.
 2. TAPERED BEAM PER DETAIL 02 ON S-4.
 3. SOLAR PANEL AND ATTACHMENTS BY OTHERS.
 4. COLUMN PER DETAIL 03 ON S-4.
 5. FOOTING PER DETAIL 04 OR 05 ON S-4.
 6. SLOPE BASED ON TOP OF BEAM ANGLE 15' MAX.



- NOTES:
1. PURLIN PER DETAIL 01 ON S-4.
 2. TAPERED BEAM PER DETAIL 02 ON S-4.
 3. SOLAR PANEL AND ATTACHMENTS BY OTHERS.
 4. COLUMN PER DETAIL 03 ON S-4.
 5. FOOTING PER DETAIL 04 OR 05 ON S-4.
 6. SLOPE BASED ON TOP OF TAPERED BEAM ANGLE 15' MAX.



- NOTES:
1. PURLIN PER DETAIL 01 ON S-4.
 2. TAPERED BEAM PER DETAIL 02 ON S-4.
 3. SOLAR PANEL AND ATTACHMENTS BY OTHERS.
 4. COLUMN PER DETAIL 03 ON S-4.
 5. FOOTING PER DETAIL 04 OR 05 ON S-4.
 6. LEVEL BOTTOM OF BEAM.
 7. SLOPE EITHER DIRECTION 1/4\"/>

PRE-CHECK (PC)
 DOCUMENT
 CODE: 2010 CBC
 A SEPARATE PROJECT
 APPLICATION FOR
 CONSTRUCTION IS REQUIRED

DSA APP. NO.

IDENTIFICATION STAMP
 DIV. OF THE STATE ARCHITECT
 OFFICE OF REGULATION SERVICES
 02-111665
 AC. FLS. SS. K9
 DATE 1-20-11

PROJ. NO.: 09-506_F
 DATE: 6.08.10
 CHECKED: DEE
 DRAWN: SMV
 SHEET: 2 OF 4
 COMPUTER FILE: 09-506_F
S-2

Portrait Panels
 Isometric Plan
 and Sections

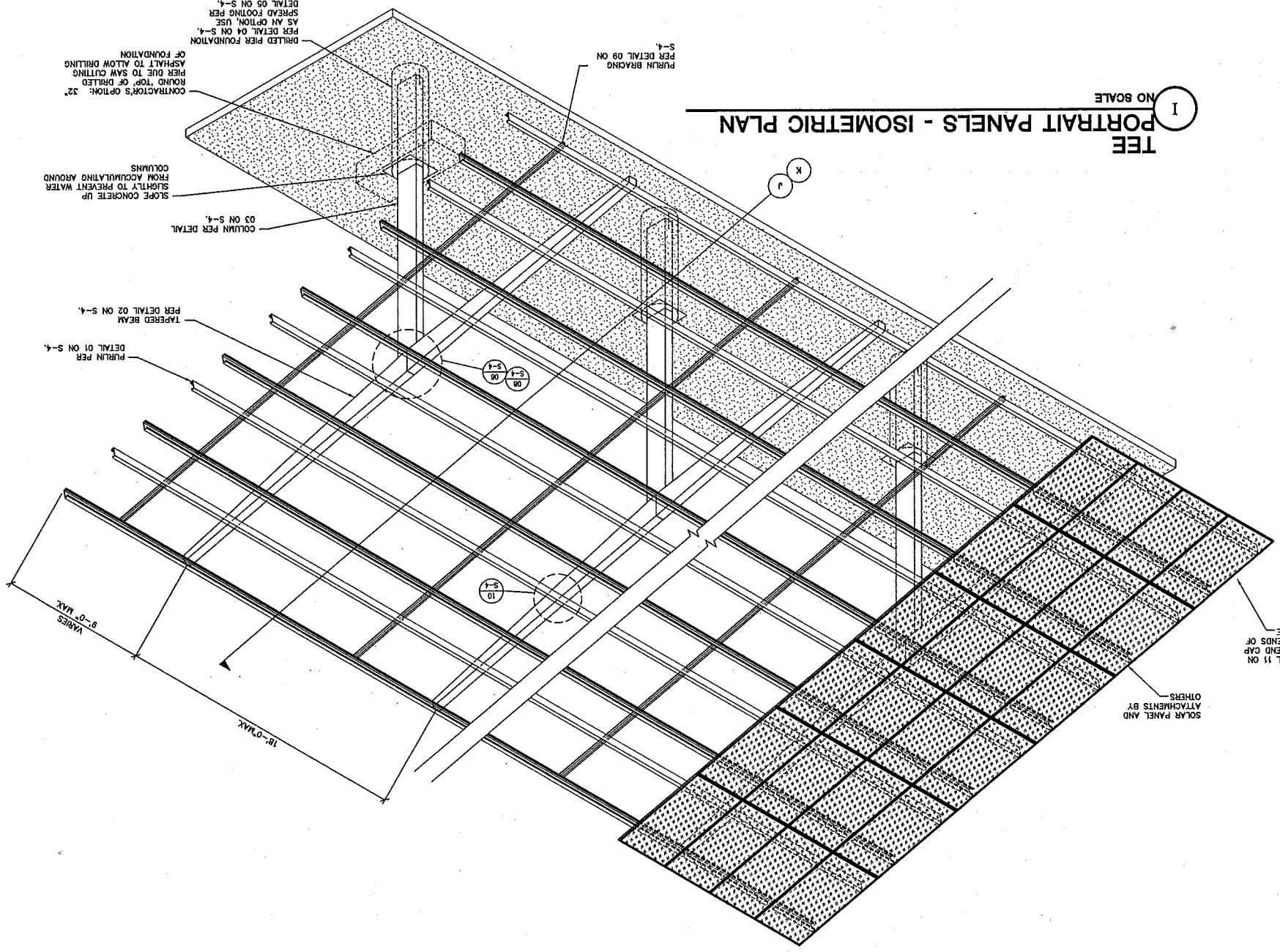
BAJA
 CONSTRUCTION CO., INC.
 223 FOSTER ST., MARTINEZ CA 94553
 1-800-366-9600 FAX: (925) 229-0161

DSA PRE-CHECK
 FULL-CANTILEVER SOLAR
 SUPPORT STEEL STRUCTURES IN
 THE STATE OF CALIFORNIA

CARUSO · TURLEY · SCOTT · INC
 consulting structural engineers
 1215 West Rio Salado Parkway, Suite 200
 Tempe, Arizona 85281 (480) 774-1700 (774-1701 FAX)
 WWW.CTSE.COM

THESE DRAWINGS/CALCULATIONS ARE CONSIDERED PRELIMINARY - NOT FOR CONSTRUCTION OR RECORDING UNLESS THE STRUCTURAL ENGINEER OF RECORD'S SEAL IS AFFIXED WITH WRITTEN SIGNATURE.

NOTE TO SOLAR INSTALLER:
SOLAR PANELS ARE NOT TO
BE STACKED/STORED ON TOP
OF STRUCTURE DURING
CONSTRUCTION.



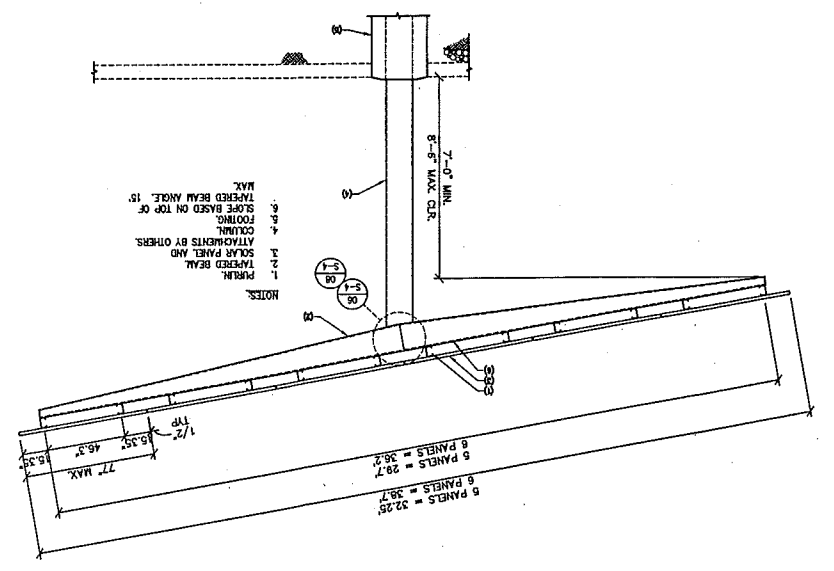
I
TEE PORTAIT PANELS - ISOMETRIC PLAN
NO SCALE

SEE DETAIL 11 ON
S-4 FOR END CAP
AT BOTH ENDS OF
STRUCTURE —
SOLAR PANEL AND
ATTACHMENTS BY
OTHERS

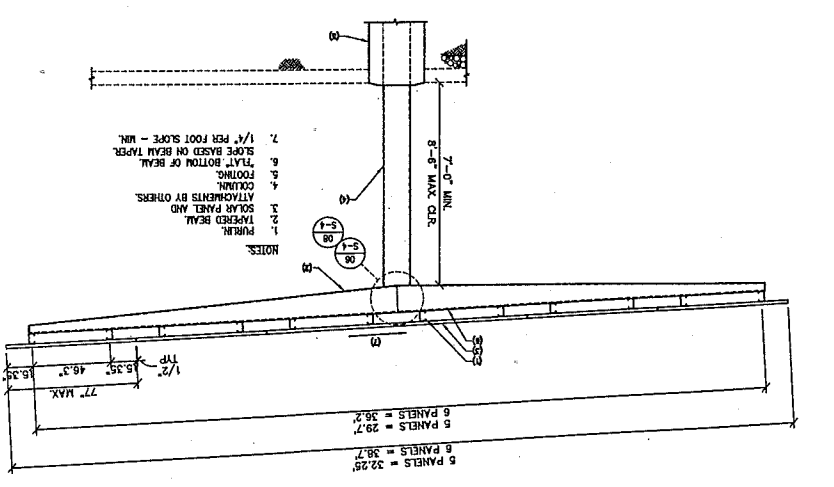
PRE-CHECK (PC)
DOCUMENT
CODE: 2010 CBC
A SEPARATE PROJECT
APPLICATION FOR
CONSTRUCTION IS REQUIRED

SHEET	DESCRIPTION
S-1	GENERAL STRUCTURAL NOTES
S-2	PORTAIT PANELS ISOMETRIC PLAN AND SECTIONS
S-3	LANDSCAPE PANELS ISOMETRIC PLAN AND SECTIONS
S-4	STRUCTURAL DETAILS

K
SECTION - TEE - PORTAIT PANELS - 15' MAX SLOPE
NO SCALE



J
SECTION - TEE - PORTAIT PANELS - 1/4\"/>



IDENTIFICATION STAMP
DIV. OF THE STATE ARCHITECT
OFFICE OF REGULATION SERVICES
DATE: 1-20-11
AC: H.S.H. ss K9

PROJ. NO.:
DATE: 1.13.11
CHECKED: DEE
DRAWN: SMV
SHEET: 2 OF 4
S-2
COMPUTER: 10518-S2.dwg

Portrait Panels
Isometric Plan
and Sections

BAJA
CONSTRUCTION CO., INC.
223 FOSTER ST., MARTINEZ CA 94553
1-800-366-9600 FAX: (925) 229-0161

DSA PRE-CHECK
THE SOLAR
SUPPORT STEEL STRUCTURES IN
THE STATE OF CALIFORNIA

CARUSO-TURLEY-SCOTT, INC
consulting structural engineers
1215 West Rio Salado Parkway, Suite 200
Tempe, Arizona 85281-1700 (774-1701) FAX
www.cts3.com

THESE DRAWINGS/CALCULATIONS ARE CONSIDERED PRELIMINARY - NOT FOR CONSTRUCTION OR RECORDING UNLESS THE STRUCTURAL ENGINEER OF RECORD'S SEAL IS APPLIED WITH WRITTEN SIGNATURE.