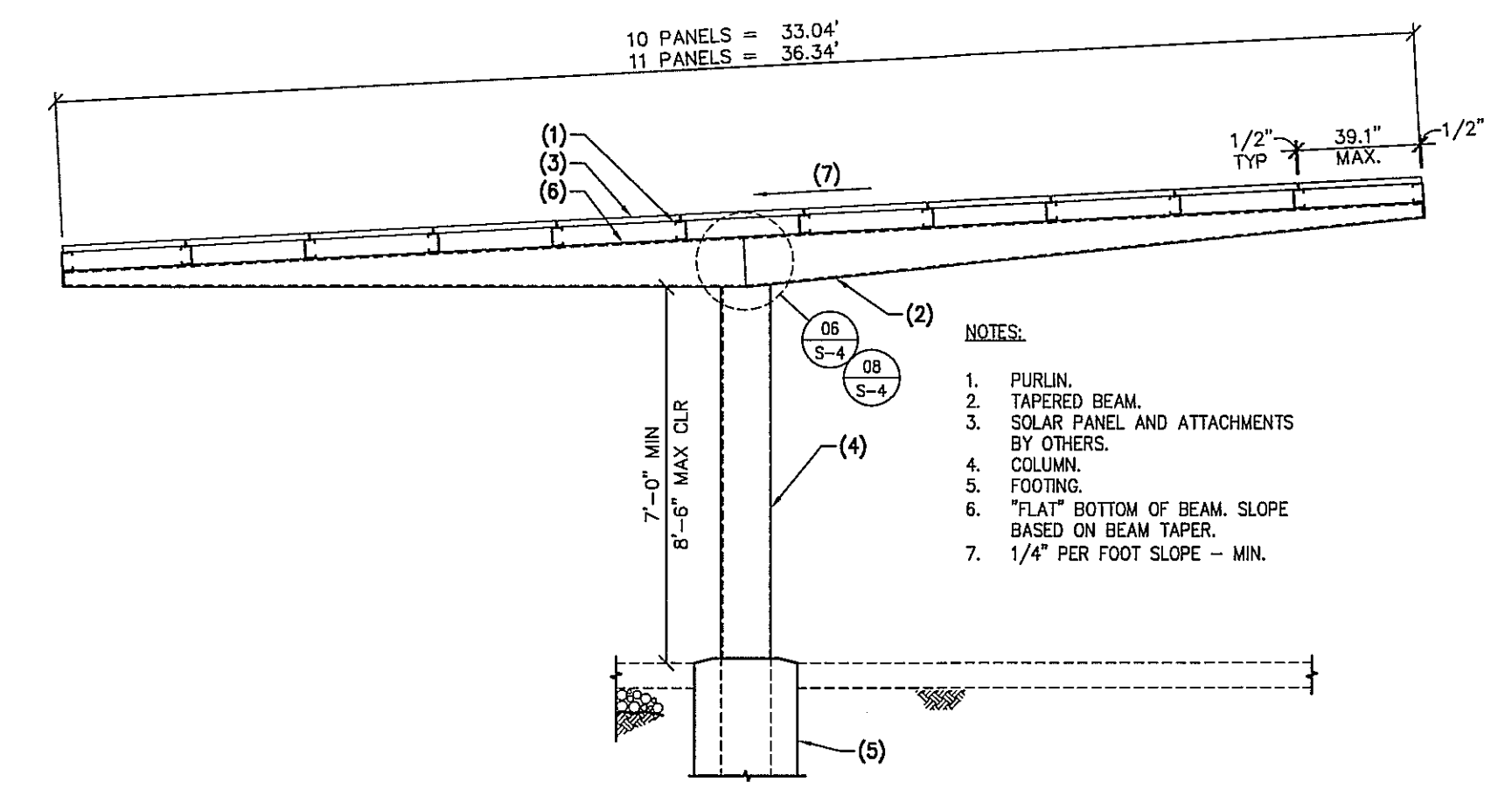
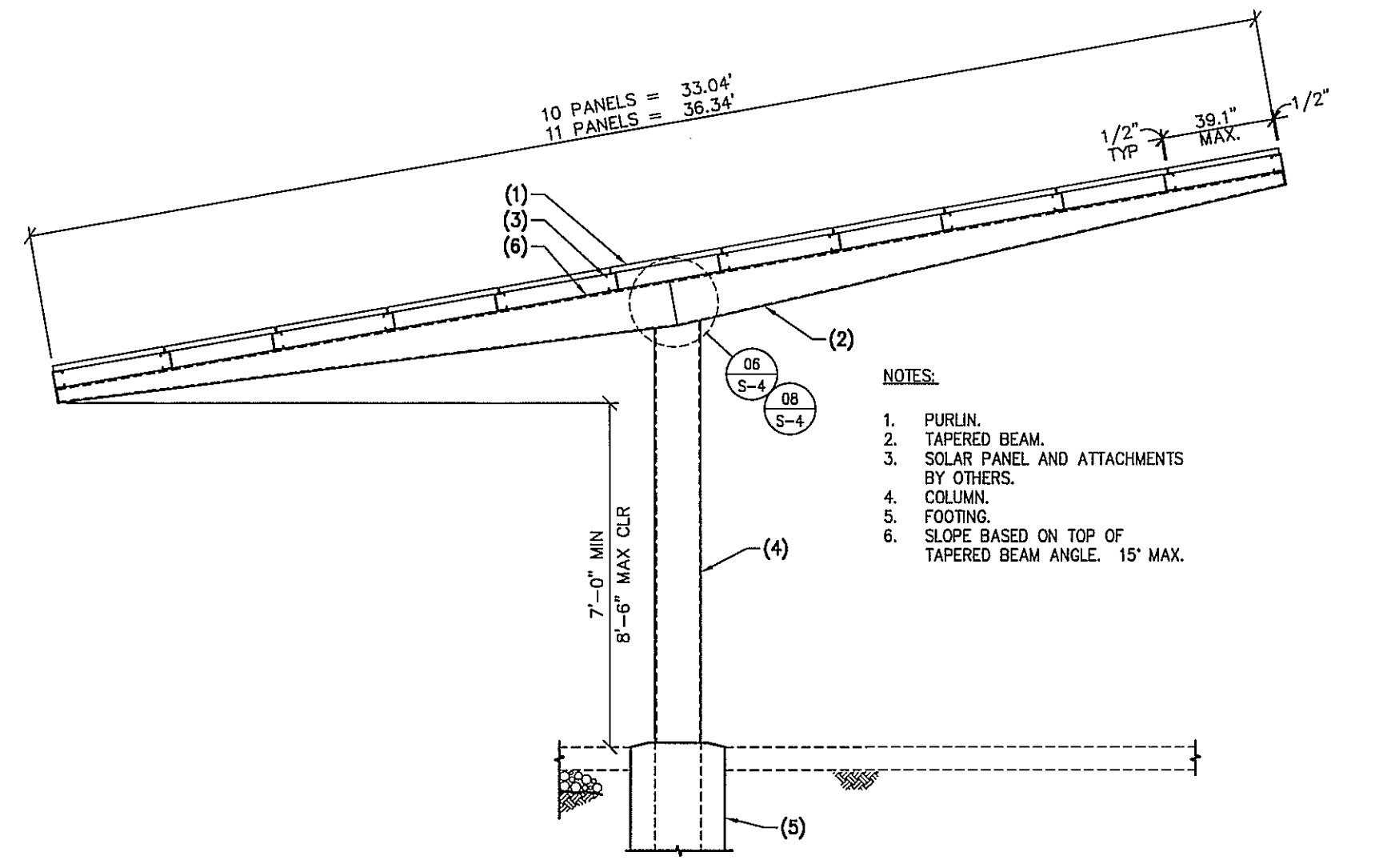


L TEE LANDSCAPE PANELS - ISOMETRIC PLAN
NO SCALE

NOTE TO SOLAR INSTALLER:
SOLAR PANELS ARE NOT TO
BE STACKED/STORED ON TOP
OF STRUCTURE DURING
CONSTRUCTION.



M SECTION - TEE - LANDSCAPE PANELS - 1/4" PER FOOT
10-518 NO SCALE



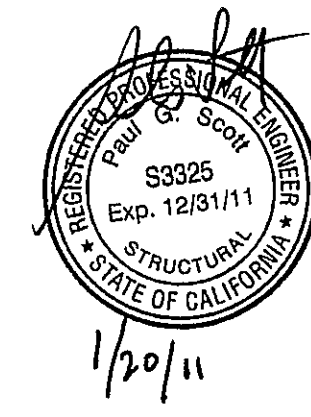
N SECTION - TEE - LANDSCAPE PANELS - 15" MAX SLOPE
10-518 NO SCALE

- NOTES:
1. PURLIN, TAPERED BEAM, SOLAR PANEL AND ATTACHMENTS BY OTHERS.
 2. SOLAR PANEL AND ATTACHMENTS BY OTHERS.
 3. COLUMN.
 4. "FLAT" BOTTOM OF BEAM SLOPE BASED ON BEAM TAPER.
 5. FOOTING.
 6. 1/2" TYP
 7. 39.1" MAX.

- NOTES:
1. PURLIN, TAPERED BEAM, SOLAR PANEL AND ATTACHMENTS BY OTHERS.
 2. SOLAR PANEL AND ATTACHMENTS BY OTHERS.
 3. COLUMN.
 4. "FLAT" BOTTOM OF BEAM SLOPE BASED ON TOP OF TAPERED BEAM ANGLE: 15° MAX.
 5. FOOTING.
 6. 1/2" TYP
 7. 39.1" MAX.

SHEET	DESCRIPTION
S-1	GENERAL STRUCTURAL NOTES
S-2	PORTRAIT PANELS ISOMETRIC PLAN AND SECTIONS
S-3	LANDSCAPE PANELS ISOMETRIC PLAN AND SECTIONS
S-4	STRUCTURAL DETAILS

PRE-CHECK (PC) DOCUMENT
CODE: 2010 CBC
A SEPARATE PROJECT APPLICATION FOR CONSTRUCTION IS REQUIRED



IDENTIFICATION STAMP
DIV. OF THE STATE ARCHITECT
OFFICE OF REGULATION SERVICES

02-111747

AC. FLS TH. SS KB
DATE: 1-20-11

THESE DRAWINGS/CALCULATIONS ARE CONSIDERED PRELIMINARY - NOT FOR CONSTRUCTION OR RECORDING UNLESS THE STRUCTURAL ENGINEER OF RECORD'S SEAL IS AFFIXED WITH WRITTEN SIGNATURE.

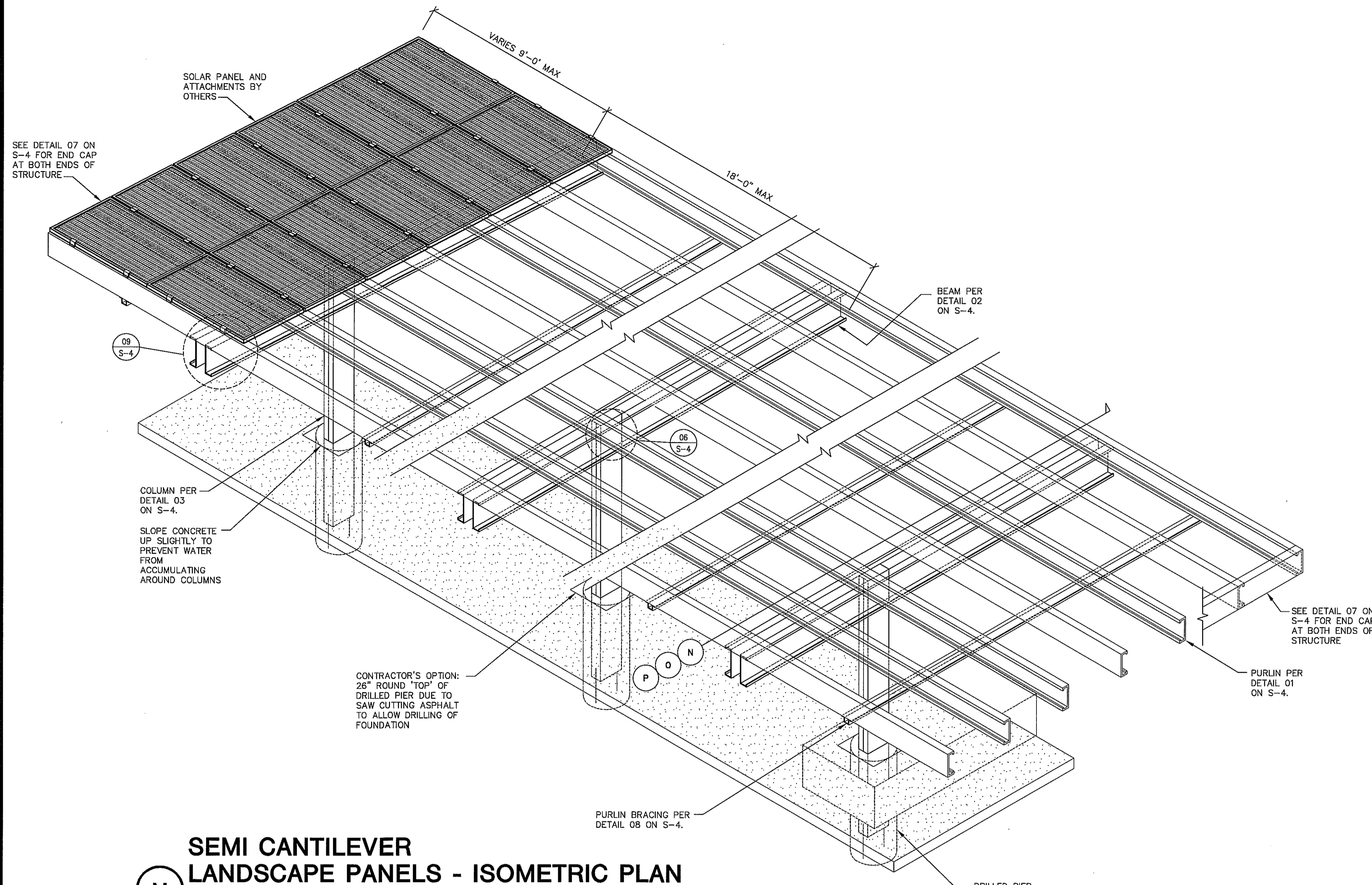
CARUSO • TURLEY • SCOTT • INC
consulting structural engineers
1215 West Rio Salado Parkway, Suite 200
Tempe, Arizona 85281 (480) 774-1700 (774-1701 FAX)
www.ctsaz.com

DSA PRE-CHECK
TEE SOLAR SUPPORT STEEL STRUCTURES IN THE STATE OF CALIFORNIA

BAJA
CONSTRUCTION CO., INC.
223 FOSTER ST., MARTINEZ CA 94553
1-800-366-9600 FAX: (925) 229-0161

Landscape Panels Isometric Plan and Sections

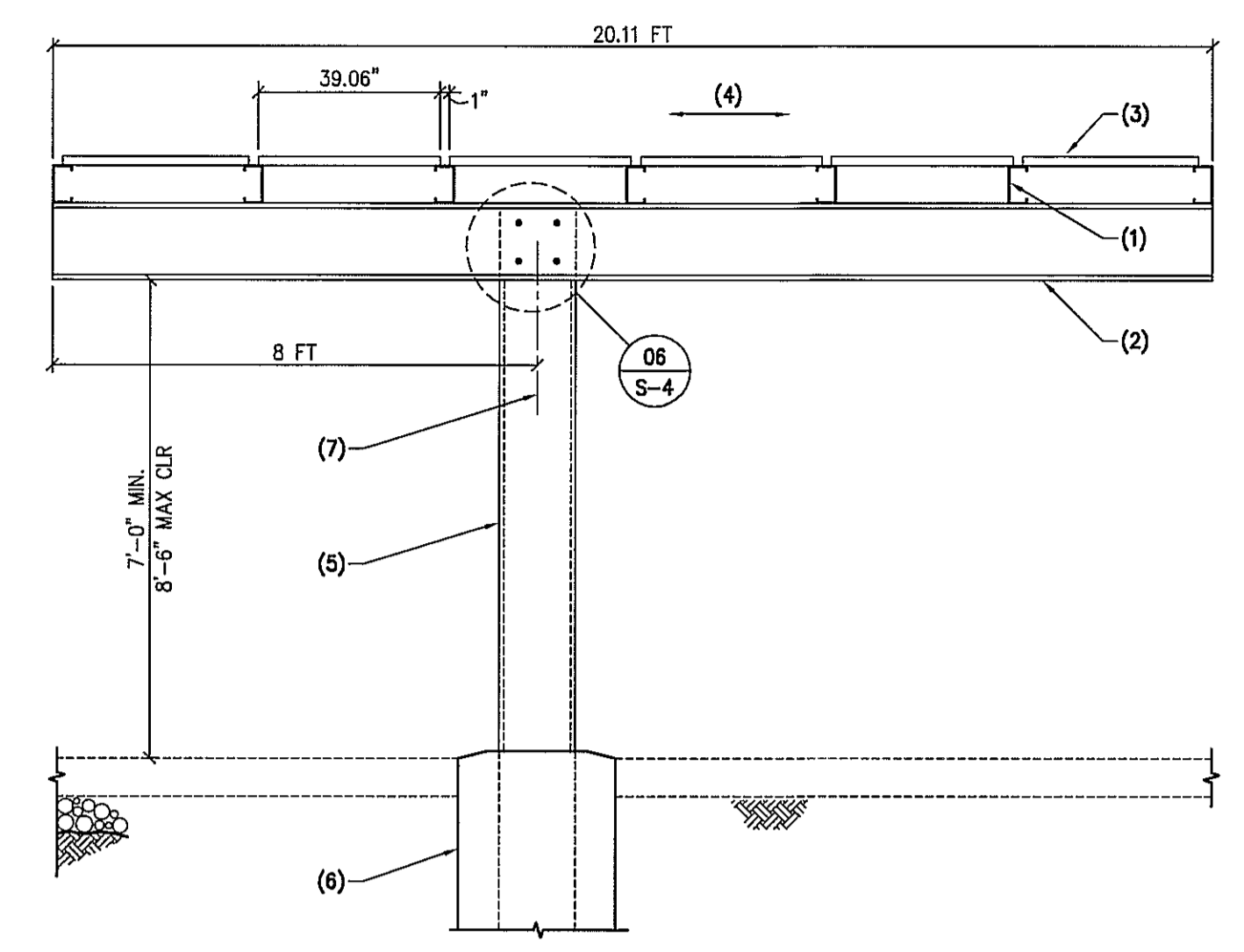
PROJ. NO.: 10-518	DATE: 1.13.11
DRAWN: SMV	CHECKED: DEE
SHEET: S-3	
3 OF 4	
COMPUTER FILE: 10518-S3.dwg	



M SEMI CANTILEVER LANDSCAPE PANELS - ISOMETRIC PLAN
NO SCALE

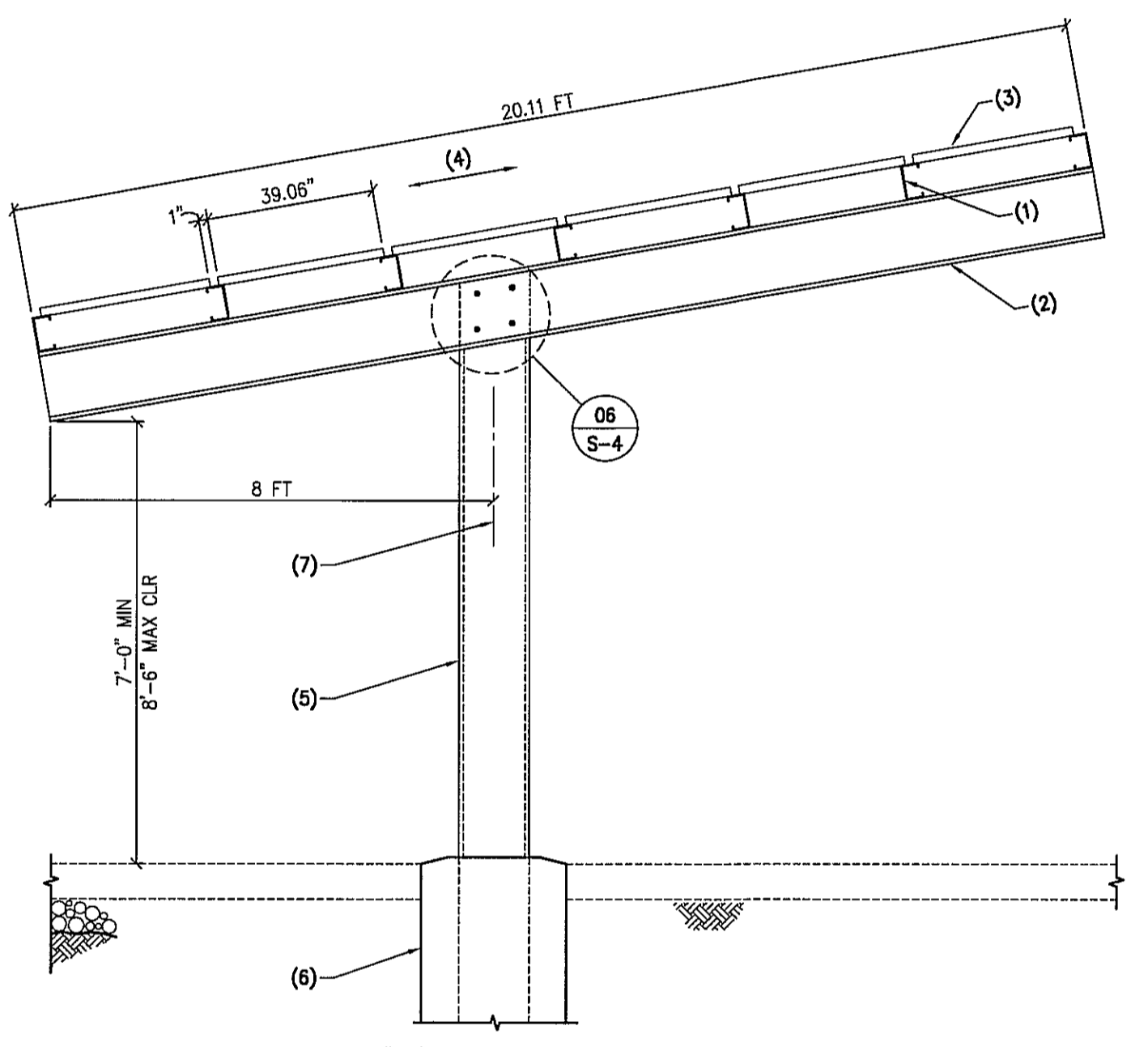
NOTE TO SOLAR PANEL INSTALLER:
SOLAR PANELS ARE NOT TO BE
STACKED/STORED ON TOP OF
STRUCTURE DURING CONSTRUCTION.

- NOTES:
1. PURLIN PER DETAIL 01 ON S-4.
 2. BEAM PER DETAIL 02 ON S-4.
 3. SOLAR PANEL AND ATTACHMENTS BY OTHERS.
 4. SLOPE EITHER DIRECTION. 1/4" PER FOOT, MIN.
 5. COLUMN PER DETAIL 03 ON S-4.
 6. FOOTING PER DETAIL 04 OR 05 ON S-4, CENTERLINE OF COLUMN.
 - 7.



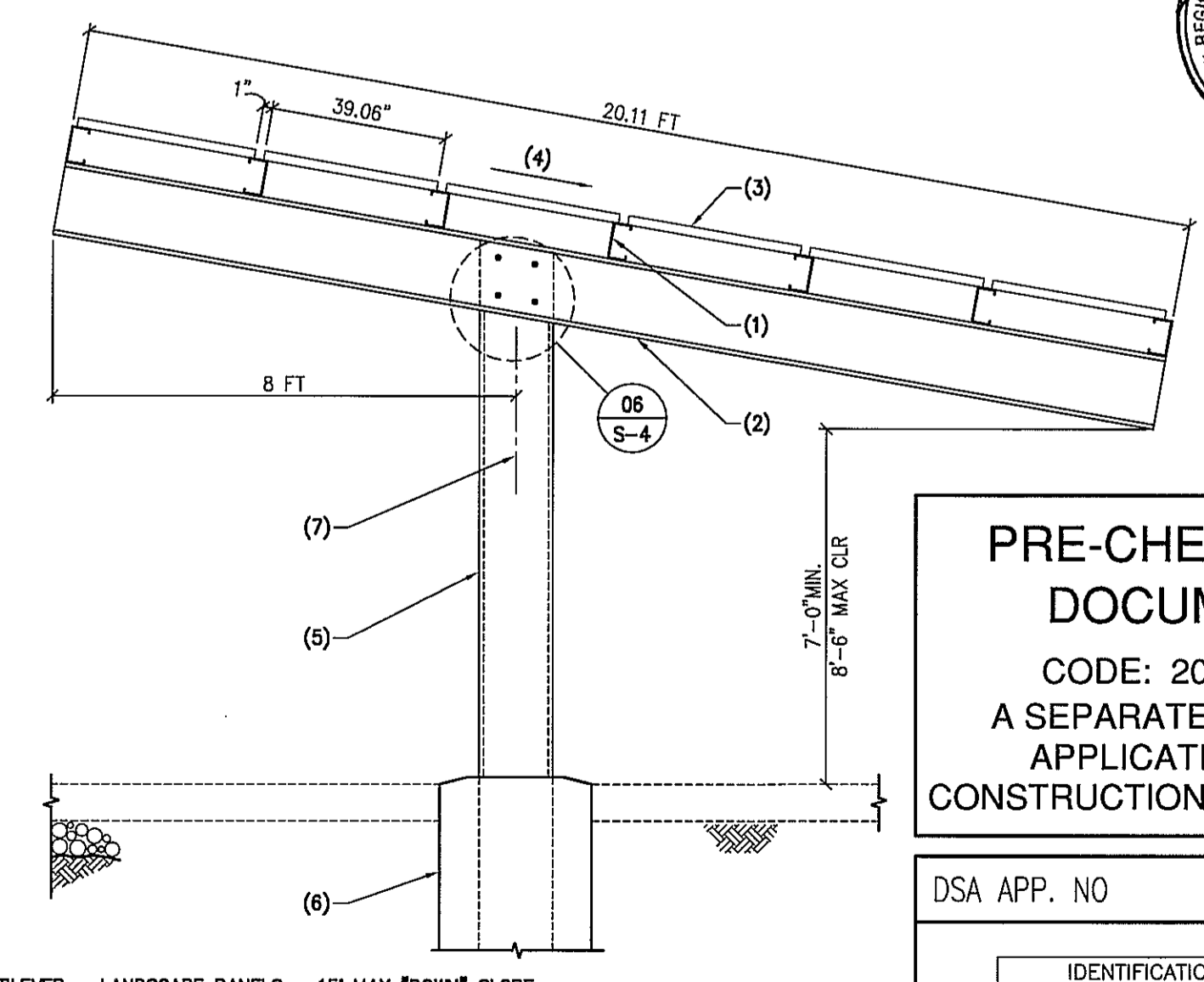
N SECTION - SEMI CANTILEVER - LANDSCAPE PANELS - 1/4" PER FOOT
10-408 NO SCALE

- NOTES:
1. PURLIN PER DETAIL 01 ON S-4.
 2. BEAM PER DETAIL 02 ON S-4.
 3. SOLAR PANEL AND ATTACHMENTS BY OTHERS.
 4. SLOPE VARIES. 15" MAX.
 5. COLUMN PER DETAIL 03 ON S-4.
 6. FOOTING PER DETAIL 04 OR 05 ON S-4, CENTERLINE OF COLUMN.
 - 7.



O SECTION - SEMI CANTILEVER - LANDSCAPE PANELS - 15" MAX "UP" SLOPE
10-408 NO SCALE

- NOTES:
1. PURLIN PER DETAIL 01 ON S-4.
 2. BEAM PER DETAIL 02 ON S-4.
 3. SOLAR PANEL AND ATTACHMENTS BY OTHERS.
 4. SLOPE VARIES. 15" MAX.
 5. COLUMN PER DETAIL 03 ON S-4.
 6. FOOTING PER DETAIL 04 OR 05 ON S-4, CENTERLINE OF COLUMN.
 - 7.



P SECTION - SEMI CANTILEVER - LANDSCAPE PANELS - 15" MAX "DOWN" SLOPE
10-408 NO SCALE



PRE-CHECK (PC) DOCUMENT
CODE: 2010 CBC
A SEPARATE PROJECT APPLICATION FOR CONSTRUCTION IS REQUIRED

PROJ. NO.: 10-408 DATE: 6.29.10
DRAWN: SMV CHECKED: DEE
SHEET: S-3 3 OF 4
COMPUTER FILE: 10-408

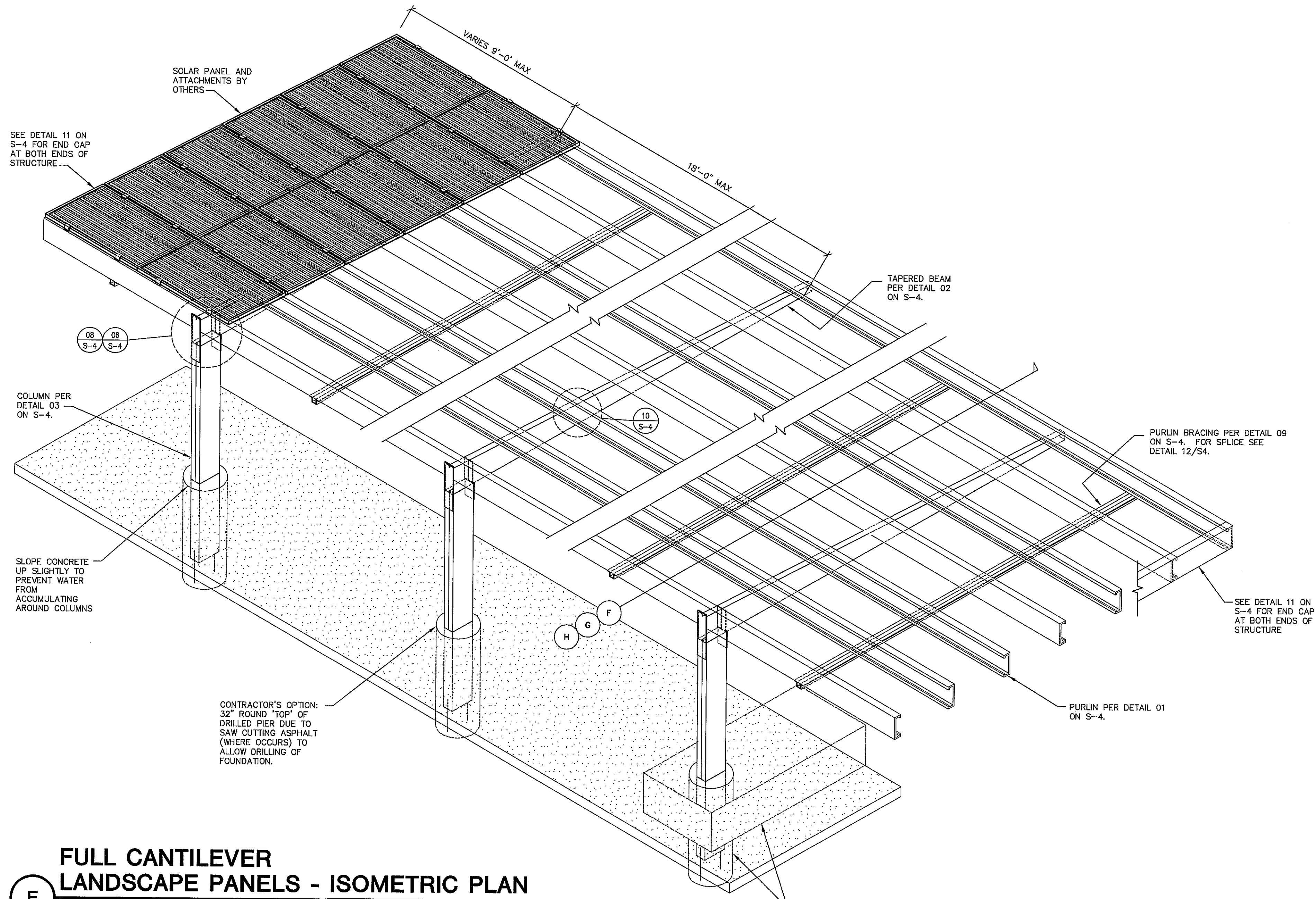
THESE DRAWINGS/CALCULATIONS ARE CONSIDERED PRELIMINARY - NOT FOR CONSTRUCTION OR RECORDING UNLESS THE STRUCTURAL ENGINEER OF RECORD'S SEAL IS AFFIXED WITH WRITTEN SIGNATURE.

CARUSO • TURLEY • SCOTT • INC
consulting structural engineers
1215 West Rio Salado Parkway, Suite 200
Tempe, Arizona 85281 (480) 774-1700 (774-1701 FAX)
www.ctsz.com

DSA PRE-CHECK
SEMI-CANTILEVER SOLAR SUPPORT STEEL STRUCTURES IN THE STATE OF CALIFORNIA

BAJA CONSTRUCTION CO., INC.
223 FOSTER ST., MARTINEZ CA 94553
1-800-366-9600 FAX: (925) 229-0161

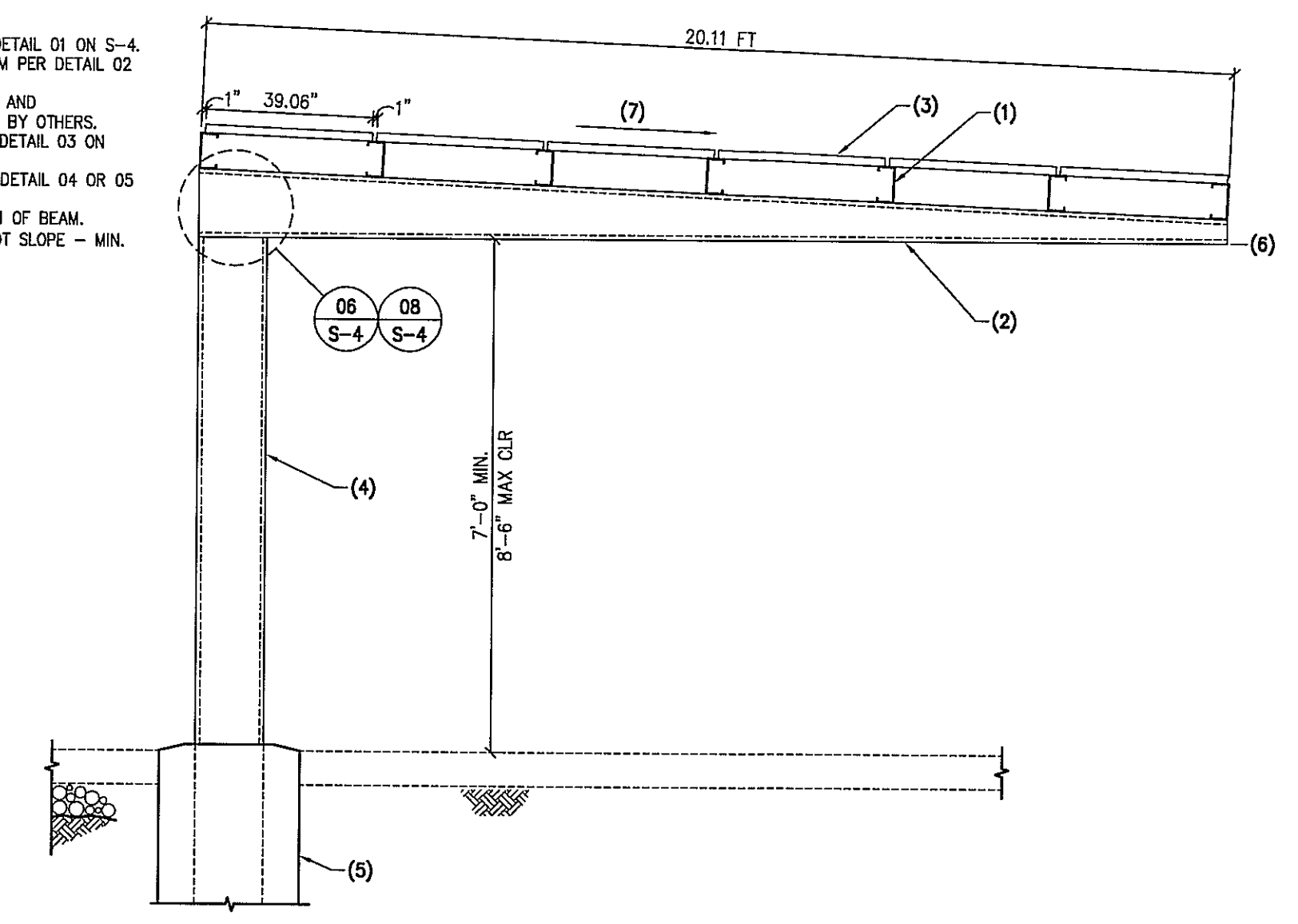
Landscape Panels Isometric Plan and Sections



E FULL CANTILEVER LANDSCAPE PANELS - ISOMETRIC PLAN
NO SCALE

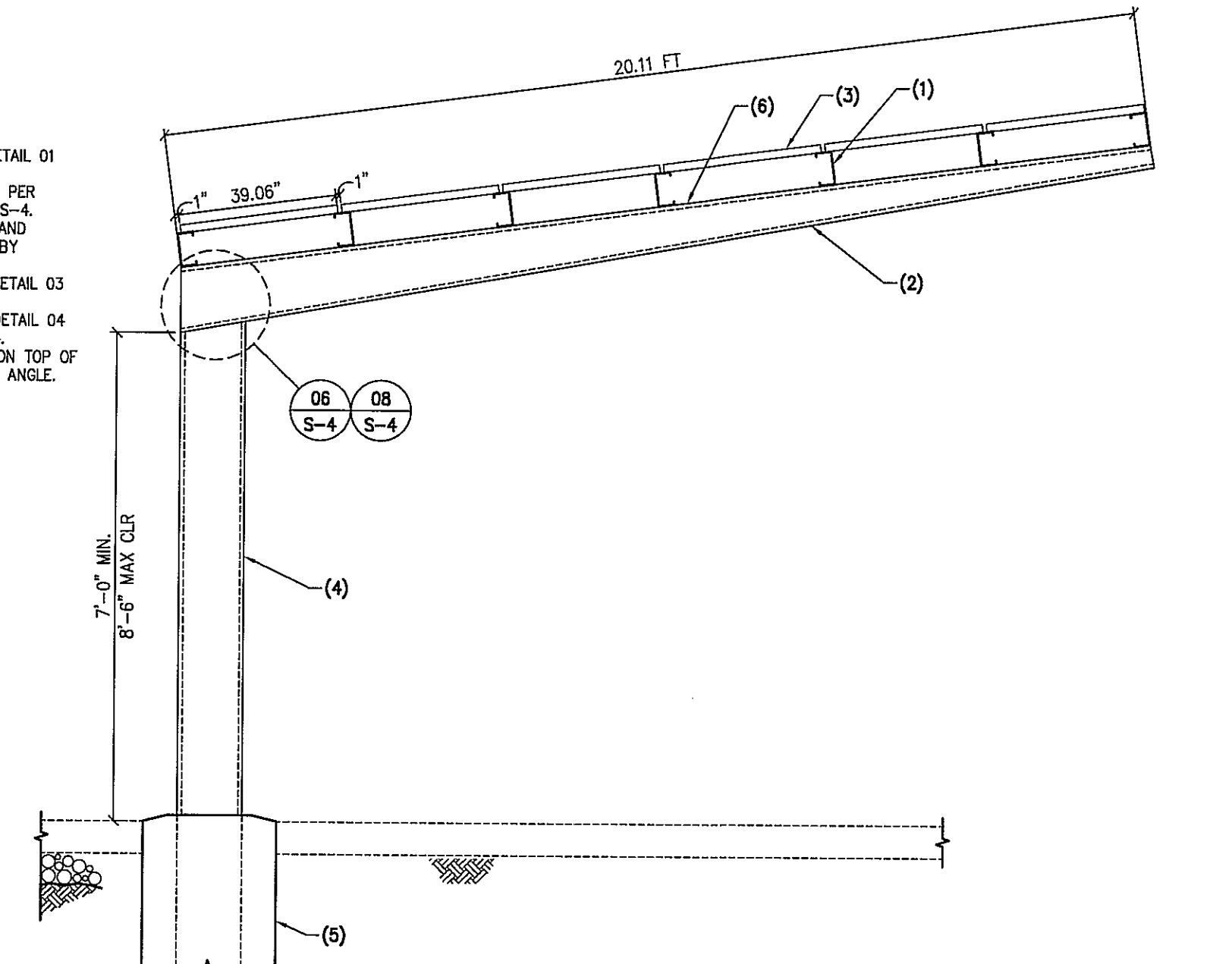
NOTE TO SOLAR PANEL INSTALLER:
SOLAR PANELS ARE NOT TO BE
STACKED/STORED ON TOP OF
STRUCTURE DURING CONSTRUCTION.

- NOTES:
1. PURLIN PER DETAIL 01 ON S-4.
 2. TAPERED BEAM PER DETAIL 02 ON S-4.
 3. SOLAR PANEL AND ATTACHMENTS BY OTHERS.
 4. COLUMN PER DETAIL 03 ON S-4.
 5. FOOTING PER DETAIL 04 OR 05 ON S-4.
 6. LEVEL BOTTOM OF BEAM.
 7. 1/4" PER FOOT SLOPE - MIN.



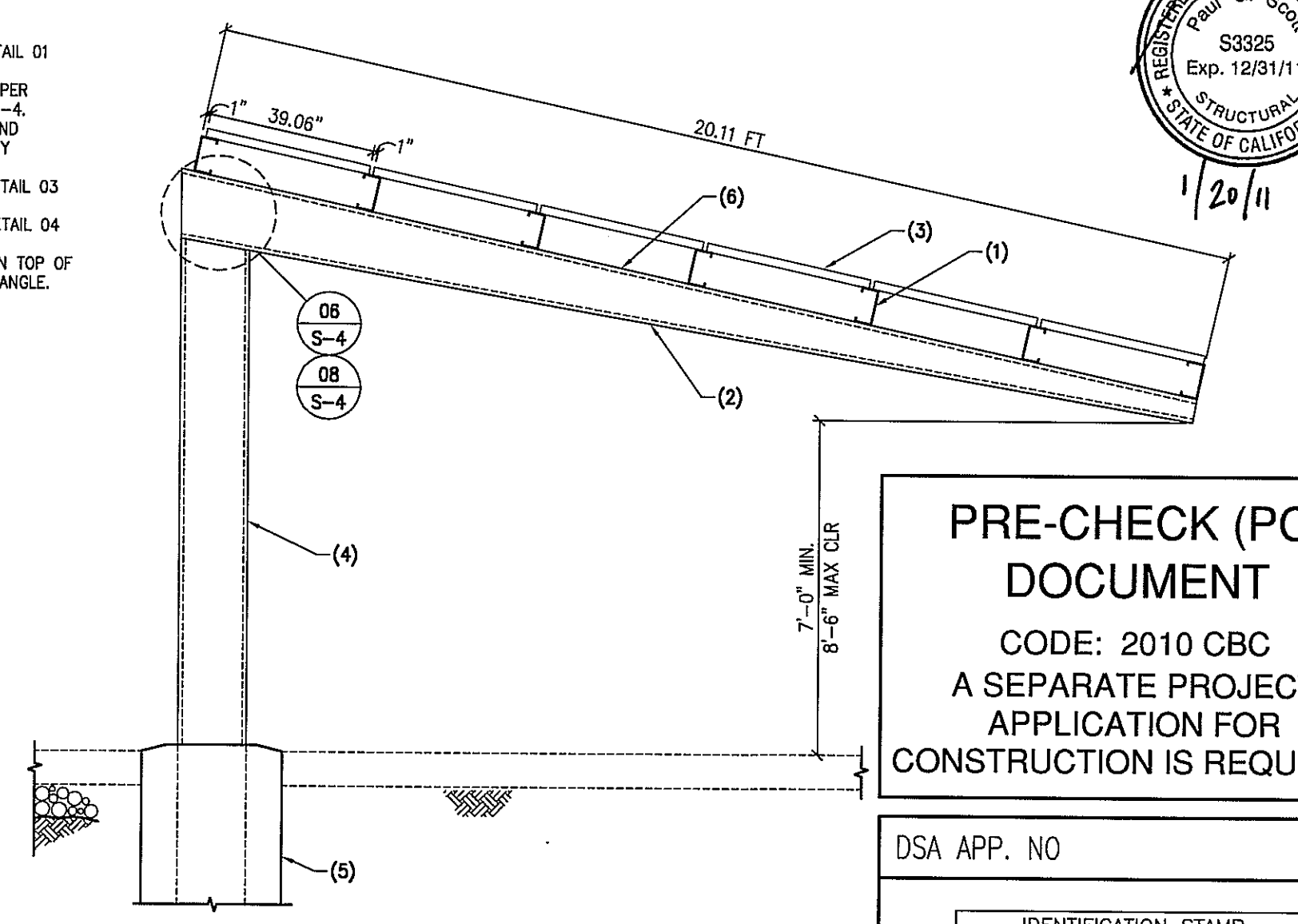
F SECTION - FULL CANTILEVER - LANDSCAPE PANELS - 1/4" PER FOOT
09-506 NO SCALE

- NOTES:
1. PURLIN PER DETAIL 01 ON S-4.
 2. TAPERED BEAM PER DETAIL 02 ON S-4.
 3. SOLAR PANEL AND ATTACHMENTS BY OTHERS.
 4. COLUMN PER DETAIL 03 ON S-4.
 5. FOOTING PER DETAIL 04 OR 05 ON S-4.
 6. SLOPE BASED ON TOP OF TAPERED BEAM ANGLE. 15' MAX.

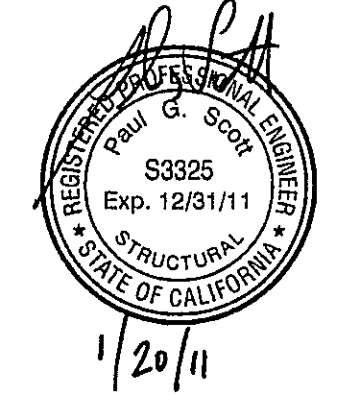


G SECTION - FULL CANTILEVER - LANDSCAPE PANELS - 15' MAX 'UP' SLOPE
09-506 NO SCALE

- NOTES:
1. PURLIN PER DETAIL 01 ON S-4.
 2. TAPERED BEAM PER DETAIL 02 ON S-4.
 3. SOLAR PANEL AND ATTACHMENTS BY OTHERS.
 4. COLUMN PER DETAIL 03 ON S-4.
 5. FOOTING PER DETAIL 04 OR 05 ON S-4.
 6. SLOPE BASED ON TOP OF TAPERED BEAM ANGLE. 15' MAX.



H SECTION - FULL CANTILEVER - LANDSCAPE PANELS - 15' MAX 'DOWN' SLOPE
09-506 NO SCALE



PRE-CHECK (PC) DOCUMENT
CODE: 2010 CBC
A SEPARATE PROJECT APPLICATION FOR CONSTRUCTION IS REQUIRED

DSA APP. NO. _____
IDENTIFICATION STAMP
DIV. OF THE STATE ARCHITECT
OFFICE OF REGULATION SERVICES
02-111555
AC: FLS, FH, SS, KB
DATE: 1-20-11

THESE DRAWINGS/CALCULATIONS ARE CONSIDERED PRELIMINARY - NOT FOR CONSTRUCTION OR RECORDING UNLESS THE STRUCTURAL ENGINEER OF RECORD'S SEAL IS AFFIXED WITH WRITTEN SIGNATURE.

CARUSO-TURLEY-SCOTT-INC
consulting structural engineers
12145 West Rio Salado Parkway, Suite 900
Tempe, Arizona 85281 (480) 774-1700 (774-1701 FAX)
www.ctsaz.com

DSA PRE-CHECK
FULL-CANTILEVER SOLAR SUPPORT STEEL STRUCTURES IN THE STATE OF CALIFORNIA

BAJA CONSTRUCTION CO., INC.
223 FOSTER ST., MARTINEZ CA 94553
1-800-366-9600 FAX: (925) 229-0161

Landscape Panels Isometric Plan and Sections

PROJ. NO.: 09-506_F	DATE: 6.08.10
DRAWN: SMV	CHECKED: DEE
SHEET: S-3 3 OF 4	
COMPUTER FILE: 09-506_F	